

T W I S T E R

Roblon HS Twister

Roblon HS Twister

High-speed two-for-one twister

Very flexible functionality

Mass-produce one product on all four spindles

Twist four different products at same time

For production of technical yarns

For production of industrial fibres

For plying pre-twisted yarns

Key features

- Four spindles that can operate independently
- In-feed from supply packages outside the machine
- Tension control at feeding point
- Random winding on finished package
- Quick package change
- No rewinding necessary
- Uniform lengths
- Uniform twist due to synchronised transmissions
- Increased breaking strength for some high-tenacity yarns
- Automatic opening and closing of doors
- Very high output
- User-friendly to operate
- Low noise level
- Simple, robust design

Standard equipment

- Take-up spindle Ø94 mm for tube
- Drum for 100 mm, 150 mm, 200 mm or 250 mm traverse
- Random winding
- Twist gears for twist counts in 50-500 tpm range
- In-line, electrically-controlled brake capstans for constant in-feed yarn tension and balloon control
- Adjustable length counter for automatic stop at pre-set length
- Patented quick-lock spindle for quick package change
- Automatic stop at yarn break
- Interior light
- Inverter drive
- User-friendly touch-screen control panel



Roblon

Nordhavnsvej 1 · 9900 Frederikshavn · Denmark
Tel: +45 9620 3300 · Fax: +45 9846 7820
eng@roblon.com · www.roblon.com

v3.1
20.01.2011

TWISTER

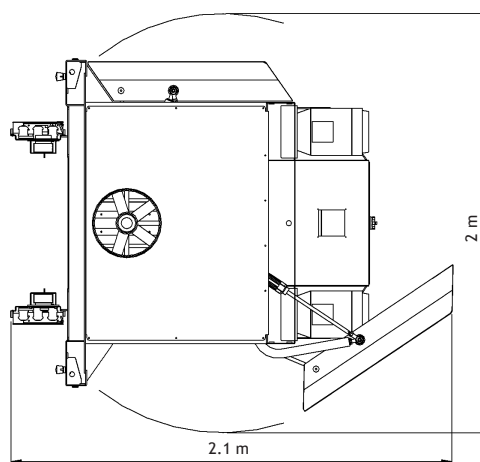
Roblon HS Twister

Optional equipment

- Customized take-up spindles
- Other twist ranges
- Customized in-feed system

Technical data

Yarn range:	1,000-10,000 dtex
Twists per metre:	50-500, S and Z; or 20-200, S and Z
Flyer speed:	Max. 5,000 rpm
Yarn speed:	Max. 200 m/min.
Twists per minute:	Max. 10,000
Total twists per minute:	Max. 40,000
No. of spindles:	4
Take-up:	Max. Ø300 x 250 mm
Take-up, max. weight:	Polyester 15 kg Aramid 15 kg
Power consumption:	15 kW average load 22 kW maximum load
Voltage:	3 x 400-500 volts + PE - 50-60 Hz



Weight: 1,500 kg

Length 1.7 m (2.1 m when open)

Width: 1.55 m (1.8 m when open)

Height: 2 m